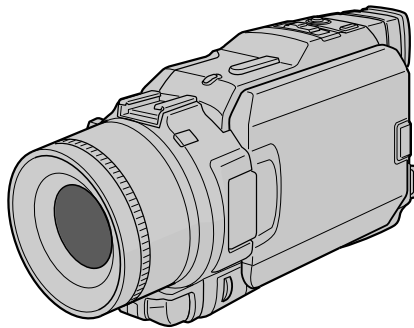


JVC

SERVICE MANUAL

DIGITAL VIDEO CAMERA

GR-DV2000KR



Regarding service information other than these sections, refer to the GR-DV2000U service manual (No. 86600). Also, be sure to note important safety precautions provided in the service manual.

SPECIFICATIONS *(The specifications shown pertain specifically to the model GR-DV2000KR)*

Camcorder		For Connectors	
For General		AV	
Power supply	: DC 6.3 V \equiv (Using AC Power Adapter/Charger) DC 7.2 V \equiv (Using battery pack)	Video output	: 1 V (p-p), 75 Ω , analog
Power consumption		Video input	: 0.5 V (p-p) – 2.0 V (p-p), 75 Ω , analog
LCD monitor off, viewfinder on	: Approx. 4.4 W	Audio output	: 308 mV (rms), 1 k Ω , analog, stereo
LCD monitor on, viewfinder off	: Approx. 5.3 W	Audio input	: 308 mV (rms), 50 k Ω , analog, stereo
Dimensions (W x H x D)	: 74 mm x 90 mm x 178 mm (2-15/16" x 3-9/16" x 7-1/16") (with the LCD monitor closed and the viewfinder pushed back in, without the lens hood)	DV	
Weight	: Approx. 660 g (1.4 lbs) (without cassette, memory card and battery) Approx. 740 g (1.7 lbs) (incl. cassette, memory card and battery)	Input/output	: 4-pin, IEEE 1394 compliant
Operating temperature	: 0°C to 40°C (32°F to 104°F)	PHONE	
Operating humidity	: 35% to 80%	Headphone output	: ϕ 3.5 mm, stereo
Storage temperature	: -20°C to 50°C (-4°F to 122°F)	MIC	
Pickup	: 1/4" CCD (Progressive Scan)	External microphone input	: 459 μ V (rms), high impedance unbalanced, ϕ 3.5 mm (stereo)
Lens	: F 1.8, f = 3.8 mm to 38 mm, 10:1 power zoom lens	PRINTER	
Filter diameter	: ϕ 52 mm		: For an optional video printer equipped with a PRINT DATA connector
LCD monitor	: 3.5" diagonally measured, LCD panel/TFT active matrix system	AC power adapter/charger AA-V40KR	
Viewfinder	: Electronic viewfinder with 0.44" color LCD	Power requirement	: AC 110 V to 220 V \sim , 60 Hz
Speaker	: Monaural	Power consumption	: 23 W
For Digital Video Camera		Output	
Format	: DV format (SD mode)	Charge	: DC 7.2 \equiv , 1.2 A
Signal format	: NTSC standard	VTR	: DC 6.3 \equiv , 1.8 A
Recording/Playback format	: Video: Digital component recording : Audio: PCM digital recording, 32 kHz 4-channel (12-bit), 48 kHz 2-channel (16-bit)	Dimensions (W x H x D)	: 68 mm x 38 mm x 110 mm (2-11/16" x 1-1/2" x 4-3/8")
Cassette	: Mini DV cassette	Weight	: Approx. 250 g (0.56 lbs)
Tape speed	: SP: 18.8 mm/s LP: 12.5 mm/s	Jack Box CU-V504U	
Maximum recording time (using 80 min. cassette)	: SP: 80 min. LP: 120 min.	For General	
For Digital Still Camera		Dimensions (W x H x D)	: 37.5 mm x 18.5 mm x 55 mm (1-1/2" x 3/4" x 2-3/16")
Storage media	: SD Memory Card/MultiMediaCard	Weight	: Approx. 30 g (0.67 lbs)
Compression system	: JPEG (compatible)	For Connectors	
File size	: 3 modes (UXGA: 1600 x 1200 pixels/XGA: 1024 x 768 pixels/VGA: 640 x 480 pixels)	USB	: TYPE B
Picture quality	: 2 modes (FINE/STANDARD)	S-VIDEO	: Y: 1 V (p-p), 75 Ω , analog output C: 0.29 V (p-p), 75 Ω , analog output
Approximate number of storable images (with the provided MultiMediaCard [16 MB])		EDIT	: ϕ 3.5 mm, 2-pole
FINE	: 100 (VGA), 48 (XGA), 20 (UXGA)	Specifications shown are for SP mode unless otherwise indicated. E & O.E. Design and specifications subject to change without notice.	
STANDARD	: 300 (VGA), 144 (XGA), 60 (UXGA)		
(with an optional MultiMediaCard [8 MB])			
FINE	: 50 (VGA), 24 (XGA), 10 (UXGA)		
STANDARD	: 150 (VGA), 72 (XGA), 30 (UXGA)		

TABLE OF CONTENTS

DIFFERENT TABLE	1 to 3
4. CHARTS AND DIAGRAMS (4-1 to 4-14)	
4.1 MAIN CIRCUIT BOARD	4-1
4.2 PRE/MDA CIRCUIT BOARD	4-7
4.3 AUDIO CIRCUIT BOARD	4-9
4.4 REG CIRCUIT BOARD	4-13
5. PARTS LIST (5-1 to 5-13)	
5.1 PACKING AND ACCESSORY ASSEMBLY <M1>	5-1
5.2 FINAL ASSEMBLY <M2>	5-3
5.3 ELECTRICAL PARTS LIST	5-6

The following table indicate main different points between models GR-DV2000U and GR-DV2000KR.

ITEM	MODEL	GR-DV2000U	GR-DV2000KR
AC ADAPTER CHARGER		AA-V40U	AA-V40KR
MEMORY CARD		16MB	8MB

The following table indicate different parts number between models GR-DV2000U and GR-DV2000KR.

PACKING AND ACCESSORY ASSEMBLY <M1> Note: As for IB (INSTRUCTIONS), refer to sec.5.

REF. NO	ITEM	MODEL	GR-DV2000U	GR-DV2000KR
1	PACKING CASE		LY32164-001B	LY32164-004A
7	ACC.LEAFLET		—	LYT0162-024A
9	WARRANTY INF.		BT-51005-4	—
10	REGIST.CARD		BT-51020-2	—
11	JACK BOX		*LY20677-002A	LY20677-002B
12	CD ROM		*LY31133-021A	LY32210-001A
△ 15	AC POWER ADAPTER/CHARGER		*LY20591-001B	LY20591-010A
16	DC CORD		*QAM0170-001	QAM0301-001
27	LENS HOOD		*LY32003-001A	LY32003-001B
30	POLY BAG		QPA02003006	QPA02003506

FINAL ASSEMBLY <M2>

REF. NO	ITEM	MODEL	GR-DV2000U	GR-DV2000KR
102	ARM ASSY		*LY31964-001E	LY31964-001G
△ 106	CASSETTE COVER ASSY		*LY20657-002B	LY20657-002C
112	HOOK		*LY42788-001A	LY42788-001B
152	BATTERY TERMINAL UNIT		*LY20660-001B	LY20660-001C
166	MICROPHONE		*LY20664-001A	LY20664-001B
191	COVER(CASS)		*LY42790-001A	LY42790-001B
220	FRONT FPC UNIT		*LY32071-001A	LY32071-001B
234	SHIELD COVER(PR)		*LY32012-001A	LY32012-001B
240	HEAT SINK(BASE)		*LY43002-001A	—
241	HEAT SINK(MAIN)		*LY42972-001A	—
246	SHEET(D.FPC)		*LY43025-001A	—
249	SPACER(REG PWB)		*—	LY42978-001B

MONITOR ASSEMBLY <M5>

REF. NO	ITEM	MODEL	GR-DV2000U	GR-DV2000KR
△ 501	MONITOR COVER ASSY		*LY32013-002B	LY32013-002C
501J	STICKER(1)		*LY42979-001A	LY42979-001B
502	MONITOR CASE ASSY		*LY32015-001C	LY32015-001E
502B	SHEET(EARTH.3)		*LY42971-001A	LY42971-001B
502C	SPACER(A)		*LY30029-0F1A	—
502D	SPACER(A)		*LY30029-0F2A	—

Notes : Mark — is not used.
Mark * reference model was also changed.

MAIN BOARD ASSEMBLY <01>

△ REF. NO	ITEM	MODEL	GR-DV2000U	GR-DV2000KR
PW	MAIN BOARD ASSY		*YB10301B-03	YB10301B-05

DSC BOARD ASSEMBLY <02>

△ REF. NO	ITEM	MODEL	GR-DV2000U	GR-DV2000KR
PW	DSC BOARD ASSY		*YB10302B-01	YB10302B-02
IC8203	IC		*K4S463232C-TC70	HY57653220BTC10
IC8204	IC		*K4S641632D-TC1H	HY57641620HGTH
IC8401	IC		*ML60851CLB	ML60851DLB
HS1	HEAT SINK(DSC)		*LY42973-001A	—
OT2	SHIELD SHEET		*—	LY40035-001A

PRE/MDA BOARD ASSEMBLY <03>

△ REF. NO	ITEM	MODEL	GR-DV2000U	GR-DV2000KR
PW	PRE/MDA BOARD ASSY		*YB10303A-01	YB10303A-03
C3517	CAPACITOR		*NDC31HJ-221X	NDCA1EJ-221W
OT1	SPACER(A)		*—	LY30029-0J4A
OT2	SPACER(A)		*—	LY30029-0J5A
OT3	SHEET(MDA)		*—	LY43138-001A

AUDIO BOARD ASSEMBLY <04>

△ REF. NO	ITEM	MODEL	GR-DV2000U	GR-DV2000KR
PW	AUDIO BOARD ASSY		*YB10304A1-02	YB10304A1-03
Q2201	TRANSISTOR		*2SC4617/QR/-X	—
Q2601	TRANSISTOR		*2SC4617/QR/-X	2SC5585
Q2602	TRANSISTOR		*2SC4617/QR/-X	2SC5585
R2205	MG RESISTOR		*NRSA6AJ-332W	—
R2213	MG RESISTOR		*NRSA6AJ-0R0W	—
R2214	MG RESISTOR		*NRSA6AJ-0R0W	—
R2215	MG RESISTOR		*NRSA6AJ-0R0W	—
R2643	MG RESISTOR		*NRSA6AJ-0R0W	—
C2214	MG RESISTOR		*—	NRSA6AJ-103W
C2703	MG RESISTOR		*NRSA02J-0R0X	—
C2704	MG RESISTOR		*NRSA02J-0R0X	—
L2202	MG RESISTOR		*NRSA63J-0R0X	—
L2203	MG RESISTOR		*NRSA63J-0R0X	—
L2204	MG RESISTOR		*NRSA63J-0R0X	—
L2205	MG RESISTOR		*NRSA63J-0R0X	—
L2206	MG RESISTOR		*NRSA63J-0R0X	—
L2605	MG RESISTOR		*NRSA63J-0R0X	—
L2606	MG RESISTOR		*NRSA63J-0R0X	—
L2607	MG RESISTOR		*NRSA63J-0R0X	—
L2901	MG RESISTOR		*NRSA63J-0R0X	—
L2902	MG RESISTOR		*NRSA63J-0R0X	—
L2903	MG RESISTOR		*NRSA63J-0R0X	—
L2904	MG RESISTOR		*NRSA63J-0R0X	—
L2905	MG RESISTOR		*NRSA63J-0R0X	—
L2906	MG RESISTOR		*NRSA63J-0R0X	—

REG BOARD ASSEMBLY <05>

△ REF. NO	ITEM	MODEL	GR-DV2000U	GR-DV2000KR
OT1	SPACER(REG PWB)		*LY42978-001A	—

JACK BOARD ASSEMBLY <07>

△ REF. NO	ITEM	MODEL	GR-DV2000U	GR-DV2000KR
PW1	JACK BOARD ASSY		*YB10305A1-03	YB10305A1-04
J301	D CONNECTOR		*NNZ0038-001X	NNZ0056-001X

Notes : Mark — is not used.
Mark * reference model was also changed.

JACK BOARD ASSEMBLY <07>

△ REF. NO	ITEM	MODEL	GR-DV2000U	GR-DV2000KR
PW1	JACK BOARD ASSY		*YB10305A1-03	YB10305A1-04
J301	D CONNECTOR		*NNZ0038-001X	NNZ0056-001X

DECK OPE. BOARD ASSEMBLY <09>

△ REF. NO	ITEM	MODEL	GR-DV2000U	GR-DV2000KR
PW3	DECK OPE. BOARD ASSY		*YB10305A3-01	YB10305A3-02
S2431	TACT SWITCH		*NSW0035-001X	NSW0145-001X
S2432	TACT SWITCH		*NSW0035-001X	NSW0145-001X
S2433	TACT SWITCH		*NSW0035-001X	NSW0145-001X
S2434	TACT SWITCH		*NSW0035-001X	NSW0145-001X
S2435	TACT SWITCH		*NSW0035-001X	NSW0145-001X

Notes : Mark — is not used.
 Mark * reference model was also changed.



JVC

VICTOR COMPANY OF JAPAN, LIMITED
VIDEO DIVISION

S40894